

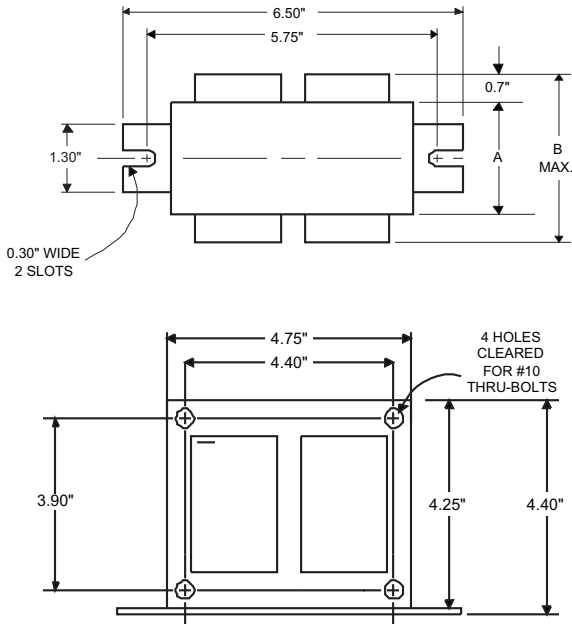
**PHILIPS
ADVANCE**

**Metal
Halide
Lamp Ballast**

**Catalog Number 71A5892
For 320W M132/M154 (P.S.)
60 Hz SUPER-CWA
Status: Active**

DIMENSIONS AND DATA

4 1/4 X 4 3/4 CORE - 2 COIL UNIT



		120	208	240	277
INPUT VOLTS					
CIRCUIT TYPE	SUPER-CWA				
POWER FACTOR (min)	90%				
REGULATION					
Line Volts	±10%				
Lamp Watts	±10%				
LINE CURRENT (Amps)					
Operating.....		3.25	1.90	1.65	1.40
Open Circuit.....		2.30	1.35	1.15	1.00
Starting.....		1.80	1.05	0.90	0.80
UL TEMPERATURE RATINGS	H(180°C)				
Insulation Class	1029				
Coil Temperature Code	-20°F or -30°C	B	B	B	B
MIN. AMBIENT STARTING TEMP.	270				
NOM. OPEN CIRCUIT VOLTAGE					
INPUT VOLTAGE AT LAMP DROPOUT.....		60	104	120	138
INPUT WATTS					
RECOMMENDED FUSE (Amps).....		8	6	5	3
CORE and COIL	1.77				
Dimension (A)	3.65				
Dimension (B)	11				
Weight (lbs.)	12"				
Lead Lengths					
CAPACITOR REQUIREMENT	21.0				
Microfarads	400				
Volts (min.)					
Fault Current Withstand (amps)					
60 Hz TEST PROCEDURES (Refer to Philips Lighting Electronics N.A. TEST Procedure for HID Ballasts - Form High Potential Test (Volts)					
	2000				
1 minute	2500				
2 seconds	240-290				
Open Circuit Voltage Test (Volts)					
Short-Circuit Current Test (Amps)	3.00-3.70				
Secondary Current					
Input Current.....		1.30	0.75	0.65	0.60
		2.00	1.15	1.00	0.90

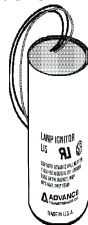
Capacitor: 7C210P40R



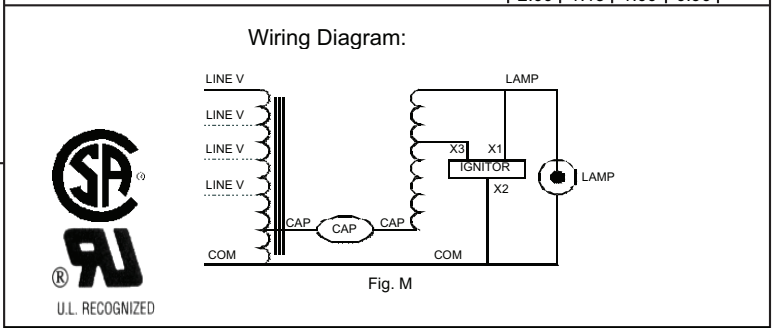
Capacitance: 21
Dia/Oval Dim: 1.75
Height: 5.12

Temp Rating: 105°C

Ignitor: LI533-H4



Ballast to Lamp Distance (BTL) = 2 feet
Temp Rating: 105°C



Typical Ordering Information
(please call Philips Lighting Electronics N.A. for suffix availability)

Order Suffix	Description
--------------	-------------

Data is based upon tests performed by Philips Lighting Electronics N.A. in a controlled environment and is representative of relative performance. Actual performance can vary depending on operating conditions. Specifications are subject to change without notice.

PHILIPS LIGHTING ELECTRONICS N.A.

10275 WEST HIGGINS ROAD · ROSEMONT, IL 60018

Tel: 800-322-2086 · Fax: 888-423-1882 · www.philips.com/advance

Customer Support/Technical Service: 800-372-3331 · OEM Support: 866-915-5886

Revised: 11/22/05